

1-085SL Safety Quarter-Turn Pr32x20 L18 SNAP-LINE

Tool-less installation, Tool operable, IP65, Vibration resistant



IP 65



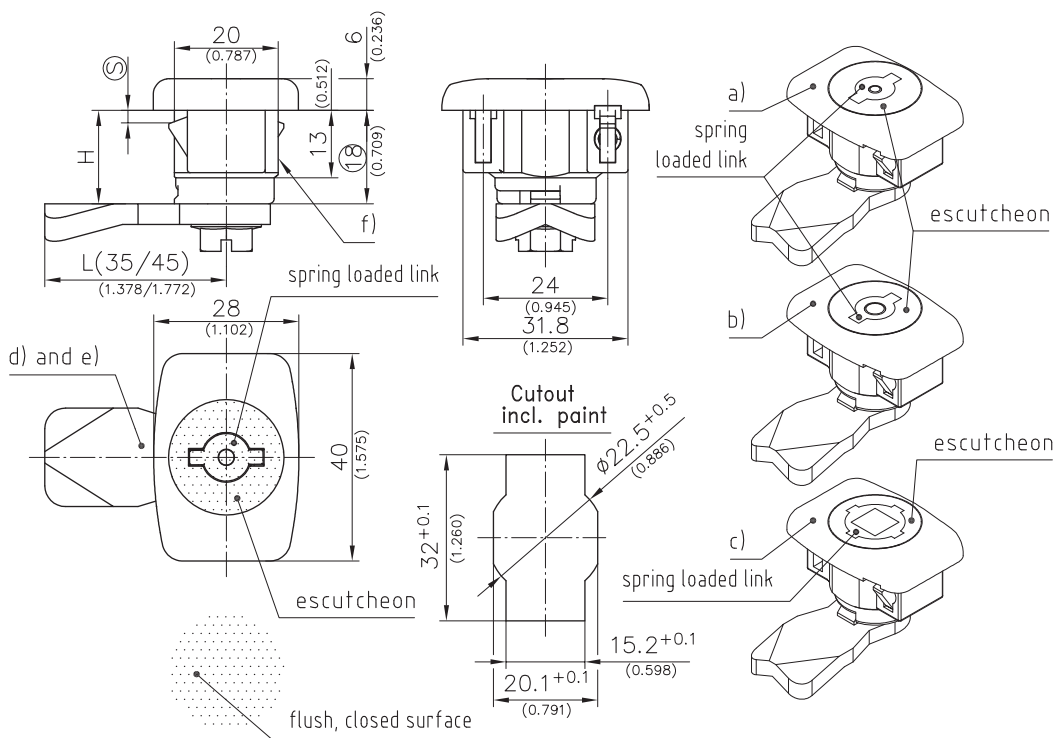
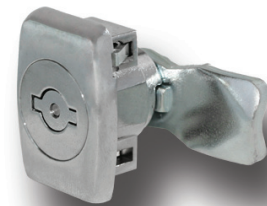
Product Notes:

- Cutout 32x20.1mm
- Vibration resistant
- Requires appropriate key. The key is captive in open position according to DIN 43668
- Flush top surface design
- Pre-assembled Quarter-Turn can be installed in cutout
- Low-profile
- Blind installation
- Integrated housing and insert provides tight sealing
- RH and LH application
- Components can be pre-assembled by DIRAK upon request
- Water and dust tight according to IP65, DIN EN 60529.
- Grounding achieved with grounding clip

- The pull-off force for double bit version is 300N maximum
- **NOTE: H-dimension of the cam must be greater than 12mm (0.472)**
- Screw-on - see Product System 1-085 and 1-085.01
- Stainless steel - see Product System 7-074 and 7-075

Material:

- **Housing, insert, spring loaded link and escutcheon:** Zinc Die, Chrome Plated
- **Wings:** Sintered Steel
- **O-Ring:** NBR, Black
- **Serrated screw:** Steel, Zinc Plated



	Clamping Range [Ⓢ]	Part No.	See Page
a) Safety Quarter-Turn	1.0 - 1.7	455-9001.00-00013	
with insert double bit 3mm pin	1.5 - 2.2	455-9001.00-00018	
	2.3 - 3.0	455-9001.00-00026	
b) Safety Quarter-Turn	1.0 - 1.7	455-9002.00-00013	
with insert double bit 5mm pin	1.5 - 2.2	455-9002.00-00018	
	2.3 - 3.0	455-9002.00-00026	
c) Safety Quarter-Turn	1.0 - 1.7	455-9004.00-00013	
with insert square 8	1.5 - 2.2	455-9004.00-00018	
	2.3 - 3.0	455-9004.00-00026	
Other [Ⓢ] - dimension on request			
d) Cams			01.42, 01.101, 01.102
e) 3-point cams			01.101
f) Grounding clip		200-1101.04-00000	
g) Please contact DIRAK for Part No. of a completely pre-assembled SNAP-LINE Quarter-Turn.			